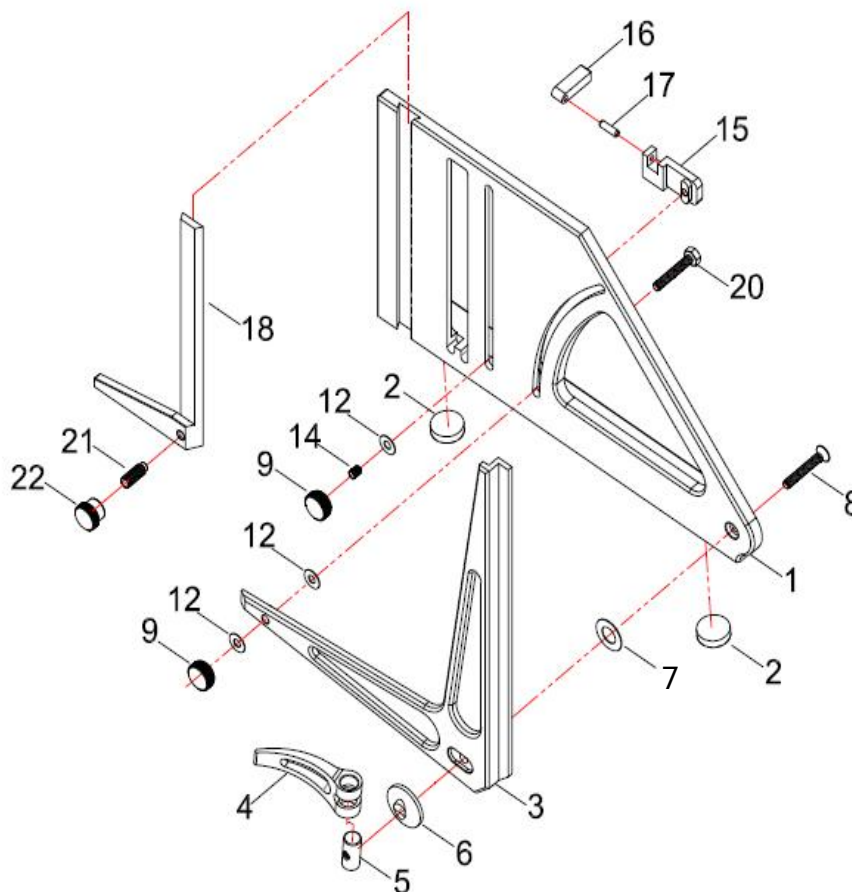




UNIVERSAL GAUGE LEFT EXPLODED VIEW

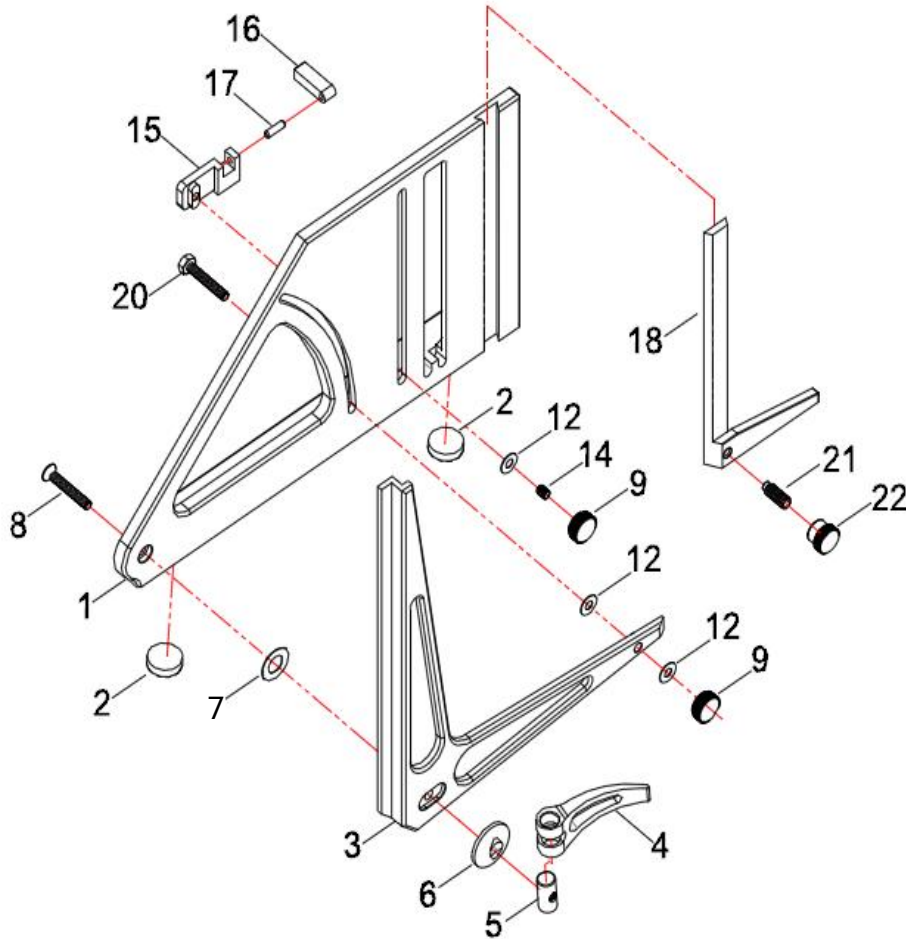


Parts List

REF	PART#	DESCRIPTION	QTY	
1	211029901	UG-1 Left Body UG1-01	UG-1主体 (左款) UG1-01	1
2	211002203	Magnet ϕ 12x3mm	强磁铁 ϕ 12x3mm	2
3	211030002	UG-1 Left Cursor UG1-02	角度规 (左款) UG1-02	1
4	211007601	MT Lever MT2-06	MT2 快捷手柄 MT2-06	1
5	211007801	MT Barrel Nut MT2-08	MT2 转销 MT2-08	1
6	211007701	MT Acetyl Washer MT2-07	MT2 锁紧垫块 MT2-07	1
7	211015603	Nylon Flat Washer ϕ 12- ϕ 6.4-0.25mm	尼龙垫片 ϕ 12- ϕ 6.4-0.25mm	1
8	30201002	Countersunk Head Screw M3x0.5-20	内六角沉头螺钉 GB/T 70.3 M3*20	1
9	211030101	Plastic Thumb Screw Head UG1-03	锁紧螺丝手柄 UG1-03	2
10	30213708	Set Screw M3-0.5x12	内六角凹端紧定螺钉 GB/T 80 M3*12	1
12	211030702	Flat Washer ϕ 7.2- ϕ 3.1-0.25mm	指针垫片 ϕ 7.2- ϕ 3.1-0.25mm	3
14	211018902	Set Screw M3-0.5x8	内六角凹端紧定螺钉 GB/T 80 M3*8, 不锈钢	1
15	211030201	Marking Gage Finger Left UG1-04	划线规(左款) UG1-04	1
16	211030301	Body Standoff UG1-05	支架 UG1-05	1
17	30902803	Pin ϕ 2x8mm	圆柱销 GB/T119.1 2*8	1
18	211030401	UG1 Left Depth Height Gage Arm UG1-06	深高计量臂 (左款) UG1-06	1
20	211018802	Hex Bolt M3x0.5-10	六角头螺栓 GB/T 5783 M3x10	1
21	211018803	Pom Head Buffer Screw M4x10+ ϕ 2.5x1.2	POM头缓冲螺丝 M4x10+ ϕ 2.5x1.2	1
22	211030406	POM Knob UG1-13	POM旋钮 UG1-13	1



UNIVERSAL GAUGE RIGHT EXPLODED VIEW



Parts List

REF	PART#	DESCRIPTION		QTY
		ENGLISH	CHINESE	
1	211029905	UG-1 Right Body UG1-08	UG-1主体 (右款) UG1-08	1
2	211002203	Magnet ϕ 12x3mm	强磁铁 ϕ 12x3mm	2
3	211030011	UG-1 Right Cursor UG1-09	角度规 (右款) UG1-09	1
4	211007601	MT Lever MT2-06	MT2 快捷手柄 MT2-06	1
5	211007801	MT Barrel Nut MT2-08	MT2 转销 MT2-08	1
6	211007701	MT Acetyl Washer MT2-07	MT2 锁紧垫块 MT2-07	1
7	211015603	Nylon Flat Washer ϕ 12- ϕ 6.4-0.25mm	尼龙垫片 ϕ 12- ϕ 6.4-0.25mm	1
8	30201002	Countersunk Head Screw M3x0.5-20	内六角沉头螺钉 GB/T 70.3 M3*20	1
9	211030101	Plastic Thumb Screw Head UG1-03	锁紧螺丝手柄 UG1-03	2
10	30213708	Set Screw M3-0.5x12	内六角凹端紧定螺钉 GB/T 80 M3*12	1
12	211030702	Flat Washer ϕ 7.2- ϕ 3.1-0.25mm	指针垫片 ϕ 7.2- ϕ 3.1-0.25mm	3
14	211018902	Set Screw M3-0.5x8	内六角凹端紧定螺钉 GB/T 80 M3*8, 不锈钢	1
15	211030205	Marking Gage Finger Right UG1-10	划线规 (右款) UG1-10	1
16	211030301	Body Standoff UG1-05	支架 UG1-05	1
17	30902803	Pin ϕ 2x8mm	圆柱销 GB/T119.1 2*8	1
18	211030405	UG1 Right Depth Height Gage Arm UG1-11	深高计量臂 (右款) UG1-11	1
20	211018802	Hex Bolt M3x0.5-10	六角头螺栓 GB/T 5783 M3x10	1
21	211018803	Pom Head Buffer Screw M4x10+ ϕ 2.5x1.2	POM头缓冲螺丝 M4x10+ ϕ 2.5x1.2	1
22	211030406	POM Knob UG1-13	POM旋钮 UG1-13	1