



# Universal Roller Guide

Model: RG-1 RG-2



Revision A 2022-03-07

298007001



# Contents

1.Foreword.....	1
2.Warranty Information.....	1
3.Application.....	1
4.General Instructions.....	2
5.Specifications.....	2
6.Feature Identification.....	2
7.Operations.....	3
8.Maintenance.....	4

1.前言.....	6
2.质保信息.....	6
3.适用范围.....	6
4.注意事项.....	7
5.参数信息.....	7
6.组成部分.....	7
7.操作说明.....	8
8.日常维护.....	8

Exploded View and Parts List.....	9
-----------------------------------	---

**English Version**

## **1. Foreword**

This manual includes basic information for the safe assembly, operations and maintenance of the RG-1&2 Universal Roller Guide. This manual assumes that the operator (user) is qualified to perform the tasks specified herein and is qualified to operate the product with the intended machines safely. This document does not address safety procedures for any unintended use of this tool. The operator must carefully read and understand the contents of this manual before using the tool. Improper installation, assembly or operation of this tool may negate the safety feature designs of the tool. Please retain this manual for future reference.

## **2. Warranty Information**

### **Limited Tool Warranty:**

We make every effort to ensure that this product meets the highest quality and durability standards. We warrant that this product is free from manufacturing defects for two years under the terms of a limited warranty. The two-year term begins at the time of the retail purchase. This warranty does not apply to defects due directly or indirectly to misuse, abuse, normal wear and tear, negligence or accidents, repairs done by an unauthorized service center, alterations or lack of maintenance. We shall in no event, be liable for death, injuries to persons or property or for incidental, special or consequential damages arising from the use of our products. To take advantage of this limited warranty, please reach out to our Harvey's customer service center. After examination, we will repair or replace the product or any part(s) covered under this warranty due to defective workmanship or material(s) during this warranty period.

## **3. Application**

The Universal Roller Guide is used to assist in holding the workpiece during cutting.

It is intended to be used in conjunction with a table saw, bandsaw, sander or shaper which is equipped with the T-slot (Width of top and bottom: 3/4" and 1"; Depth: 3/8").

The workpiece can be locked effectively even with slightly uneven edges.

## 4. General Instructions

- 4.1 The product is designed with roller pressure of 70N-100N and shall not be used in scenarios higher than 100N.
- 4.2 The product is an accessorial tool. When used in conjunction with another machines, all relevant operation requirements and safe practices must be followed.
- 4.3 After usage, please properly store away in a clean and safe area.
- 4.4 Note that the rotation direction of the roller should be consistent with the direction of wood feeding.

## 5. Specifications

Model	RG-1	RG-2
Main Body Thickness	1" (25.4 mm)	2" (50.8mm)
Recommended Stock Thickness	Min: 1/16" (2 mm) Max: 2" (51 mm)	Min: 1/16" (2 mm) Max: 4" (102 mm)
Roller Travel	6-1/2" (165 mm)	
Roller Diameter	2" (50.8 mm)	
Compatible T-slot Size	3/4" x 3/8" x 1" (19.05 x 25.4 x 9.525 mm)	
Roller Pressure	70N~100N	
Overall Size	8-3/4" x 7" x 2-41/64" (222 x 175 x 67 mm)	8-3/4" x 7" x 3-5/8" (222 x 175 x 92 mm)
Weight	4.2 lbs (1.9 kg)	5.5 lbs (2.5 kg)

## 6. Feature Identification

- | No. | Name            |
|-----|-----------------|
| A   | T-block         |
| B   | Locking Knobs   |
| C   | Adjusting Knob  |
| D   | One-way Rollers |

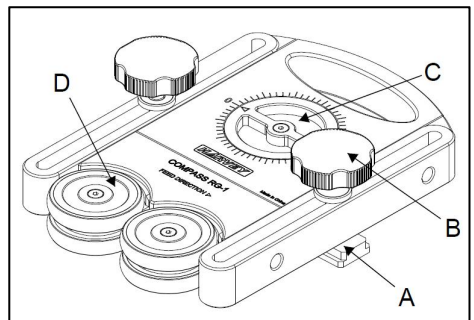


Fig.1

## 7. Operations

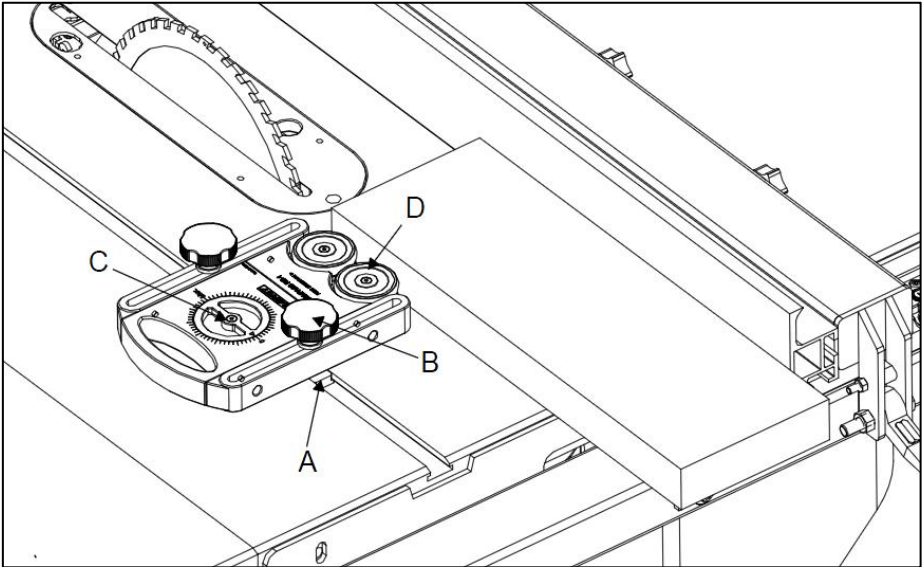


Fig.2

The following application is intended for the use on the table saw (as shown in Fig.2), which can be taken as a reference for the operations on other machines:

1. Align and lock the table saw fence (as intended to setup a cut);
2. Rest the workpiece against the fence (as seen in Fig.2);
3. Loosen the locking knobs (B) and insert the T-block (A) into the T-slot;
4. While locking knobs are loosened, turn the adjusting knob (C) to the zero "0" position;
5. Push the roller guide towards the workpiece until the two rollers (D) touch the workpiece, while the other side of workpiece firmly pushed against the fence;
6. Lock the roller guide on the table by tightening the locking knobs (B);
7. Turn the adjusting knob (C) to apply pressure to the workpiece. Rotating the adjustment knob in either direction (clockwise or counter-clockwise) will work;
8. Gently push on the workpiece to ensure that it is firmly secured between the table saw fence and the Universal Roller Guide, if not, continue to adjust until the pressure is appropriate.

**IMPORTANT NOTE:** Before installing the Universal Roller Guide, please ensure that the feed direction indicated by the arrow on the roller guide is

**consistent with the feed direction of the workpiece, otherwise, the roller guide needs to be turned over and re-installed.**

## **8. Maintenance**

8.1 Check the roller regularly for normal rotation.

8.2 To ensure proper functionality, please clean any debris or dust buildup that may accumulate on the tool over time.



中文版本

## 1. 前言

本说明书与产品一起交付给客户。说明书包含对操作人员的要求、产品的适用环境以及正确安全的使用方法，但不包含全部的安全要求。在使用之前，操作人员必须仔细阅读并理解本说明书，才能有效的避免错误的安装和操作，保证人身安全。

## 2. 质保信息

### 质保期限

两年

### 购买凭证

请保留有效的购买凭证，以作保修及维修之用。

### 质保范围

自客户购买本产品之日起，本公司将向客户提供为期两年的质保服务，在质保期内，产品因质量缺陷免费维修。

以下原因造成的事故、故障等在保修范围以外：

- ◆ 滥用、误用、疏忽引起的事故。
- ◆ 缺乏维护导致的故障。
- ◆ 非授权维修改造。
- ◆ 正常磨损部件。
- ◆ 天灾、火灾、爆炸引起的故障。

本公司在任何情况下均不对因使用本公司产品而导致的死亡、人身伤害和财产损失负责。

任何部件经过检测确认出现工艺或材质的缺陷，我们将免费进行修理或者更换。

## 3. 适用范围

该产品用于切割木料时辅助压紧。

该产品适用于台锯，带锯、砂光机、铣床等台面配有T型槽（尺寸：顶部3/4"，底部1"，深度3/8"）的设备。

木料宽度有轻微偏差时仍可以有效压紧。

## 4. 注意事项

- 4.1 该产品设计压紧力为 70N-100N，不得在大于 100N 场景中使用。
- 4.2 该产品仅为辅助工具，在其它设备上使用时需按照设备操作规范及使用要求进行。
- 4.3 使用完毕请有效锁紧在台面或放置至安全区域。
- 4.4 使用时注意滚轮旋转方向和木料进给方向一致。

## 5. 参数信息

型号	RG-1	RG-2
本体厚度	25.4mm	50.8mm
适用木料厚度	2-51mm	2-102mm
行程	165mm	
滚轮直径	50.8mm	
适用 T 型槽	19.05mm x 25.4mm x 9.525mm	
压力范围	70N~100N	
外形尺寸	222mm x 175mm x 67mm	222mm x 175mm x 92mm
重量	1.9kg	2.5kg

## 6. 组成部分

编号	名称
A	T 型块
B	锁紧把手
C	调节旋钮
D	单向滚轮

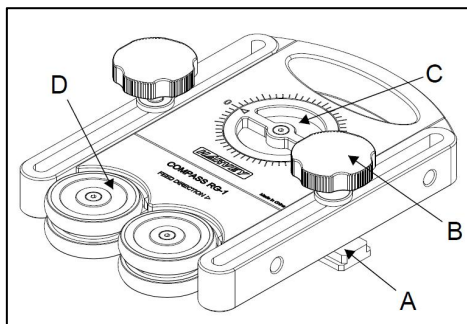


图 1

## 7. 操作说明

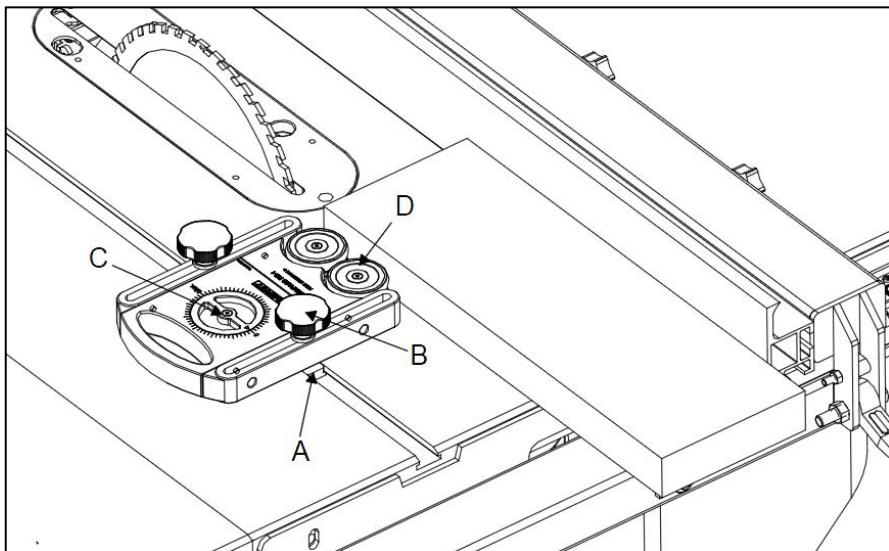


图 2

下面以台锯上的运用为例，介绍该产品的操作，其余运用，参照该说明进行操作(如图 2 所示)：

1. 将直靠尺有效锁紧；
2. 将待加工木料放在台板上，一侧与直靠尺靠板接触；
3. 松开锁紧旋钮“B”，将 T 形块“A”插入 T 槽内；
4. 将调节旋钮旋“C”转至 0 档；
5. 移动压料器至两个单向滚轮“D”均接触木料，木料另一侧与靠板有效接触；
6. 通过锁紧旋钮将压料器有效固定在台板上；
7. 旋转调节旋钮给木料施加压力（左右旋转均可）；
8. 轻微推动木料，如压力不适，继续调整，直至压力合适。

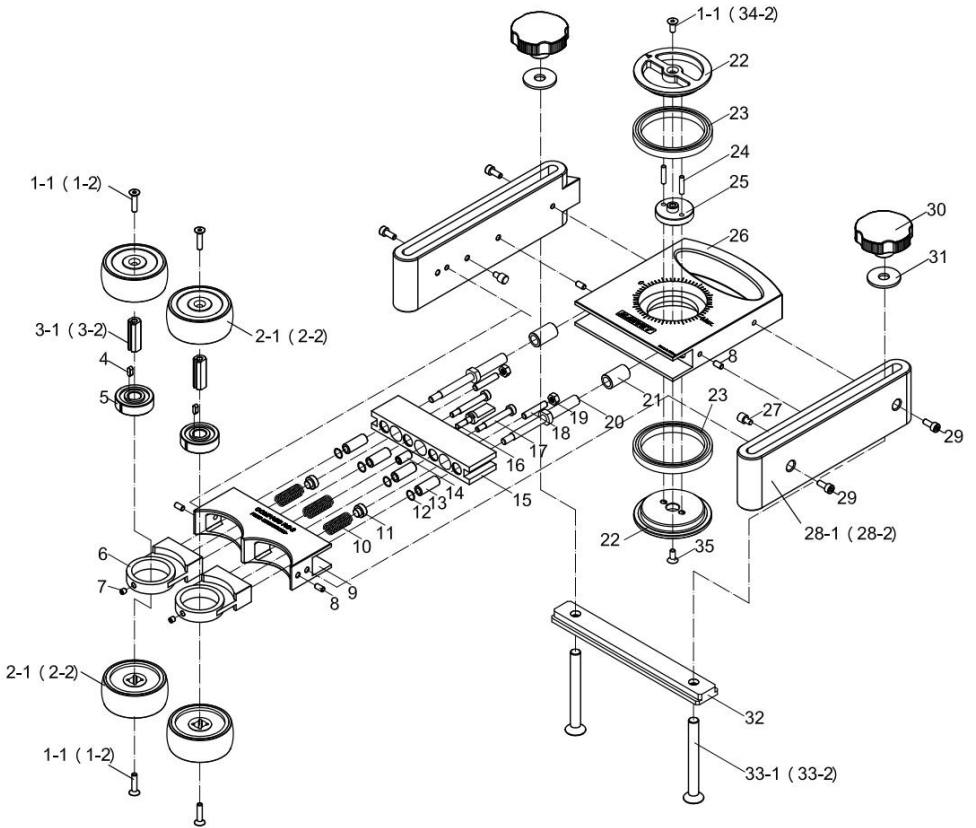
### 注意：

安装前需确认箭头指示方向与进料方向一致，否则需要将压料器翻转，重新安装后使用。

## 8. 日常维护

- 8.1 定期检查滚轮是否正常转动。
- 8.2 及时清理附着在产品上的木屑。

# Exploded View and Parts List



<b>REF</b>	<b>DESCRIPTION</b>	<b>REF</b>	<b>DESCRIPTION</b>
1-1	Flat HD screw M4-0.7x10	18	Set screw M6x30
1-2	Flat HD screw M4-0.7x18	19	Nut M6
2-1	Roller	20	Guide rod
2-2	Thickened roller	21	Copper sets 8x23x20
3-1	Spindle	22	Adjustment knob
3-2	Extended spindle	23	Bearing 6170 ZZ
4	Key 3x3x8	24	Pin Ø3.5x16
5	One-way bearing CSK10PP	25	Eccentric roller
6	Fixed block	26	upper substrate
7	Set screw M4-0.7x4	27	Pin
8	Pin Ø4X8	28-1	Fixed block
9	Lower substrate	28-2	Thickened fixed block
10	Spring	29	Cap screws
11	Spacer	30	Locking knob M4x10
12	Wire retaining ring Ø10	31	Gasket
13	Copper sets 6x10x25	32	T-block
14	Cylindrical nut M5x14xØ8	33-1	Flat HD screw M8x50
15	Slider	33-2	Flat HD screw M8x75
16	Bar	34-2	Flat HD screw M4-0.7x10
17	Shoulder screws M5xØ6x35		

**Remark:**

**-1 for parts of RG-1, -2 for parts of RG-2.**

**Eg:** 1-1 Flat HD screw M4-0.7x10 is for RG-1

1-2 Flat HD screw M4-0.7x18 is for RG-2





**Harvey Industries Co., Ltd.**

68-10 Suyuan Avenue, Jiangning District, Nanjing 21100, China  
[www.harveymachinery.com](http://www.harveymachinery.com)

**Harvey Industries International Inc.**

10830 Ada Ave. Montclair, CA. 91763

TEL: 1-800-253-3332

E-mail: [info@harveywoodworking.com](mailto:info@harveywoodworking.com)