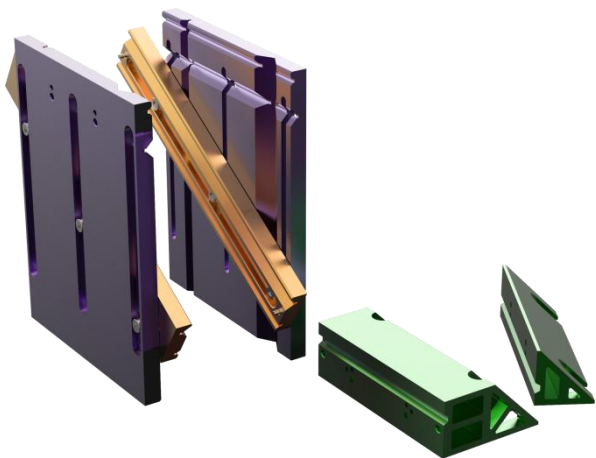




Bridge City Jaw Kit for DJ-3



Quality is Contagious
BRIDGE CITY TOOL WORKS

English Version

Overview

Congratulations on your purchase of the **Jaw Kit for DJ-3**. This Jig Jaw Kit includes the 45° Miter Jaws and Long Accessory Jaws. With this Jaw Kit, the capabilities that the DJ-3 can provide is unparalleled.

45° Miter Jaws

1. Assembly

As shown in Fig. 1, remove the Screws (A) at the left outrigger and right outrigger, replace the two orange V-Jaws (not shown in below figure) with the 45° Miter Jaws, then re-install the Screws (A) and tighten them.

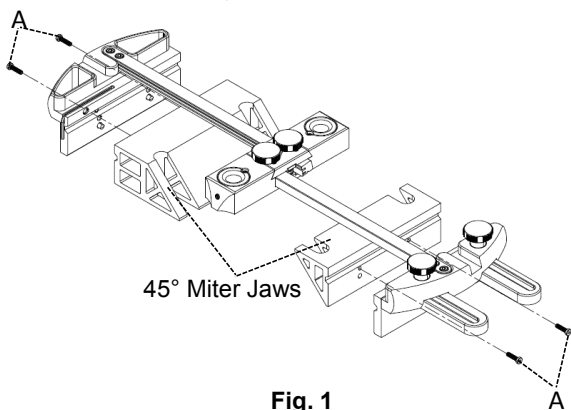


Fig. 1

2. Using and Set-Up

With the 45° Miter Jaws, you can use the drill dowel holes on 45 degree miters. The holes are always perpendicular to the mitered edge directly on the centerline.

In conjunction with the off centering function of DJ-3 (please refer to the DJ-3 Instruction Manual for detailed operation), the optimal strength can be achieved by moving the hole as close to the inside face as possible to drill the deepest hole without drilling through the stock.

The maximum width of stock that can be drilled in this case is up to 7-9/32" (185mm), as shown in Fig. 2.

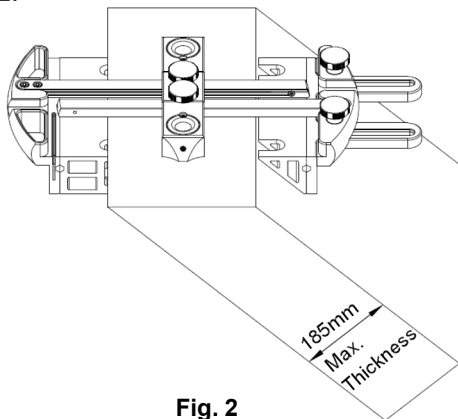


Fig. 2

Long Accessory Jaws

1. Assembly

As shown in Fig. 3, install the Long Accessory Jaws by following steps:

(1) Remove the Screws (A) at the left outrigger and right outrigger.

(2) Replace the two orange V-Jaws (not shown in below figure) with the two long Jaws, re-install the Screws (A) and tighten them.

(3) By using the supplied screws, washers and nuts (not all hardware is shown in below figure), install the two angle adjustment blocks to the long jaws, slightly tighten all the hardware. (Slightly tightening is enough, so that you can slide the blocks while adjusting angles.)

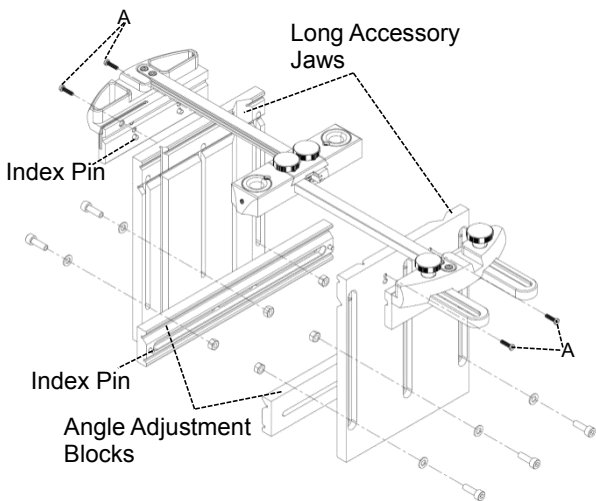


Fig.3

2. Using and Set-Up

Set up one jaw using a T-bevel or protractor and lock in place. Close the accessory jaws and align the opposite jaw until the index pins engage, tighten and both adjustable reference surfaces are now planar.

Using this setup, holes can be drilled up to 45 degrees, and the maximum thickness of stock that can be drilled in this case is up to 5-5/16" (135mm), as shown in Fig. 4

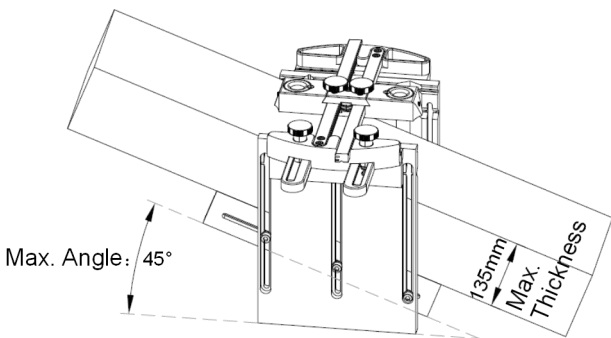


Fig. 4

中文版本

概述

恭喜您购买了 DJ-3 万能钻模夹具附件，此套附件包含 45 度夹块套装和高度延伸夹紧块套装，专配于 DJ-3 万能钻模使用，可以让 DJ-3 的钻孔能力获得极大的延伸。

45°夹块

1. 组装

如图 1 所示，拧出 DJ-3 支架两端的螺丝(A)，移除两端橙色的 V 型夹块（图中未显示），装上 45°夹块，将 DJ-3 支架上的定位销与 45°夹块上定位孔对应，然后拧紧螺丝（A）完成组装。

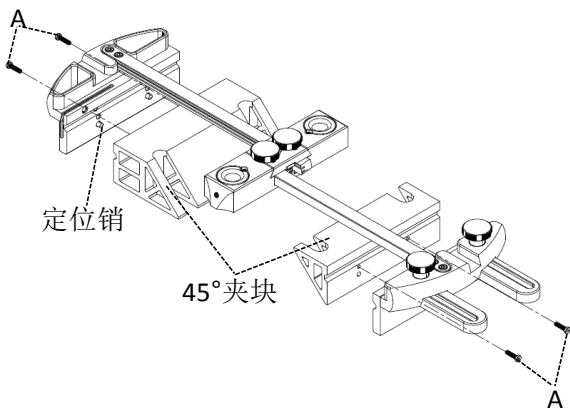


图 1

2.使用

装上 45° 夹块后,可使用 DJ-3 在 45° 的斜面上钻圆棒孔。配合 DJ-3 的偏心定位功能(详见 DJ-3 主体说明书),可以钻出较深的圆棒孔。

45° 夹块可夹持的木料最大厚度为 185mm,如图 2 所示。

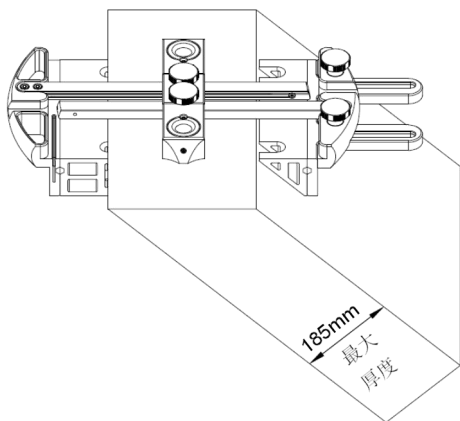


图 2

高度延伸夹紧块

1. 组装

如图 3 所示，按以下步骤进行组装：

(1) 拧出 DJ-3 支架两端的螺丝 (A)，移除两端橙色的 V 型夹块 (图中未显示)。

(2) 装上高度延伸架，将 DJ-3 支架上的定位销与高度延伸架上的定位孔对应，然后拧紧螺丝 (A)。

(3) 用随机标配的螺丝，垫片和螺母 (图中未显示全部五金件)，根据图 3 所示，将角度调节块安装在两个高度延伸支架内侧 (安装时预紧五金件即可，以便后续调节角度)。

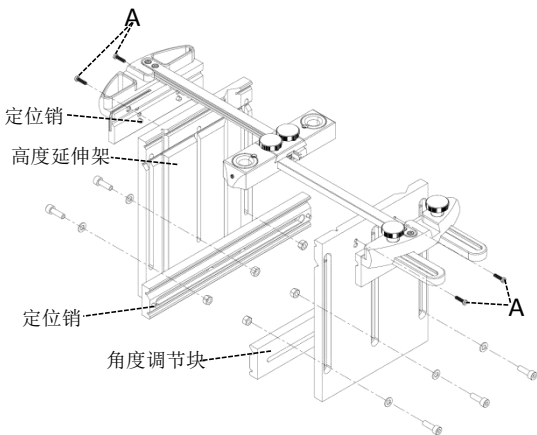


图 3

2.使用

用角尺或者量角器辅助一块角度调节块，确定所需钻孔角度，并锁紧固定螺丝。合上两个高度延伸架，对齐两个角度调节块上的定位销和定位孔（图3），并锁紧角度调节块上的固定螺丝，两边的角度现在就完全一致了。

使用高度延伸夹紧块进行角度钻孔时，木料的最大厚度为 135mm，最大倾斜角度为 45° ，如图4所示。

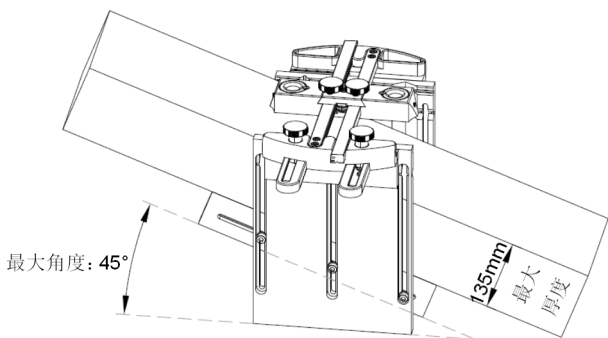


图 4



Warranty

All returns, replacements, technical services, and support shall be handled by distributor's customer service organization.

If there is a defect on the workmanship of the tool (with no fault of the customer) within one year from the original date of purchase, please contact with the distributor's customer service organization and they will determine whether to repair or replace the tool.

质保

所有退货、换货、技术服务和支持均由经销商的客户服务机构负责。

如果在原始购买日期后一年内发现工具存在工艺缺陷(客户无过), 请与经销商客户服务机构取得联系, 并由该服务机构决定是否对工具进行修理或更换。

Bridge City Tool Works

www.bridgcitytools.com