

GYR AIR™

G700 Dust Processor

Filter Assembly Replacing Instruction

Revision A (2018-04-25)



G700 Filter Assembly Replacing Instruction

Filter assembly need to replace regularly (normally twice a year), it must use the matched filter assembly, as **Fig.1** shown.



Fig.1

1. Remove the Cover

As shown in **Fig.2**, loosen 4 hex screws(A), remove screws(B), then remove the cover(C).

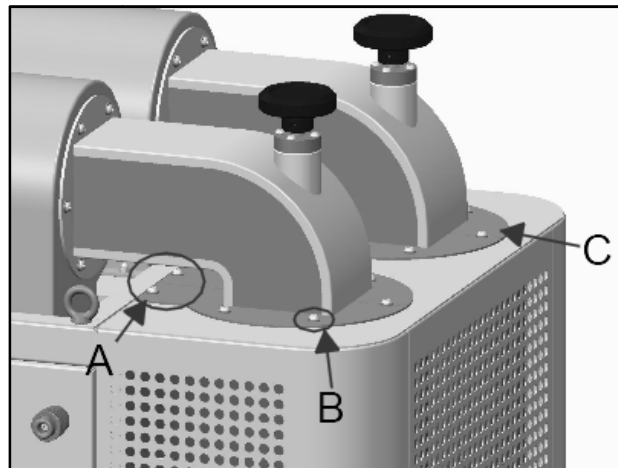


Fig.2

2. Remove the Filter Cover

Open the front cover, remove the back cover and dust bin, as shown in **Fig.3**, remove 4 screws on the right side of the frame.

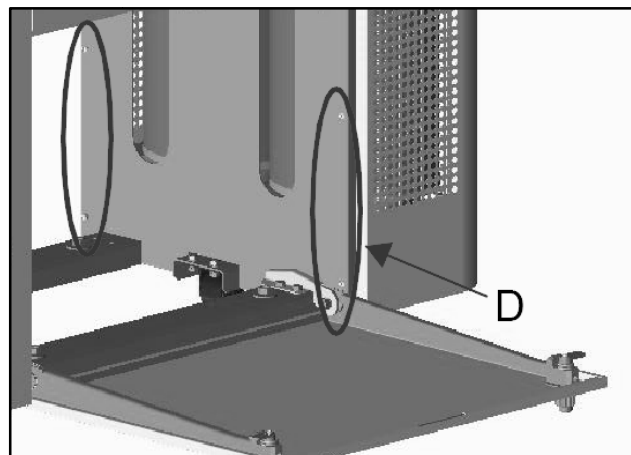


Fig.3

As shown in **Fig.4** , remove 4 locking screws (E) , then remove the filter cover.

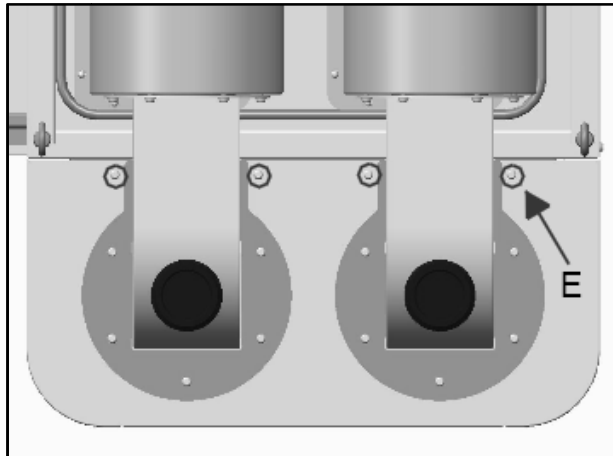


Fig.4

3. Remove and Reinstall the Filter Assembly.

As shown in **Fig.5** , remove 4 screws(F) , these screws was fastened by nut(F) inside the separator system, remove 8 screws(G), then remove the filter assembly.

Notice: Mark the position where the assembly is installed, it should be reinstalled to the same position.

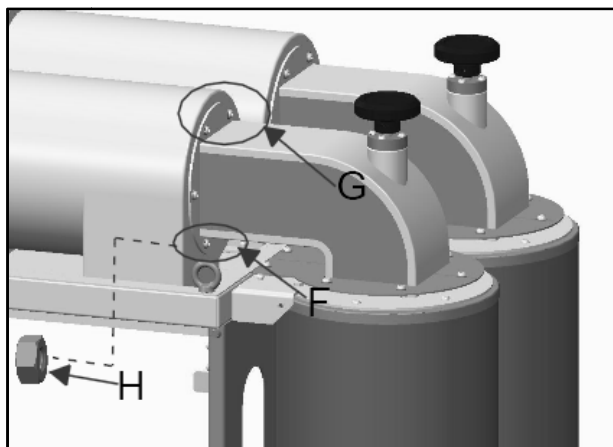


Fig.5

As shown in **Fig.6**, loosen the strap(I), remove the dust collector(J), clean it up especially the lip for future use.

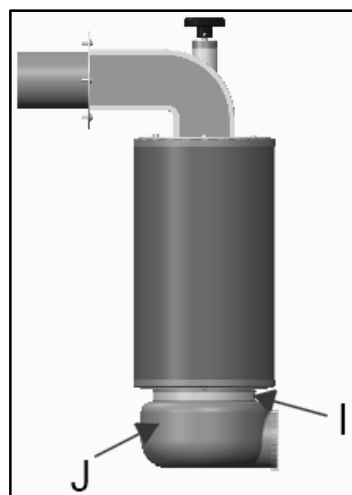
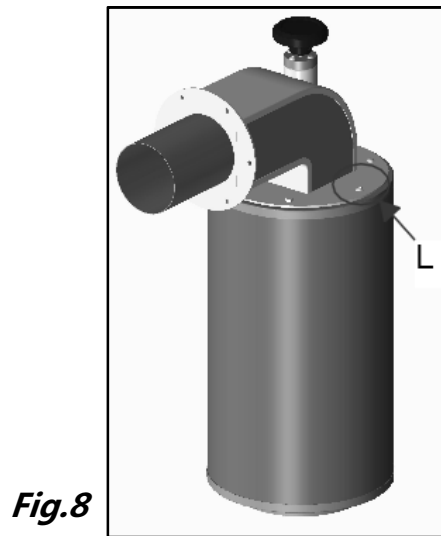
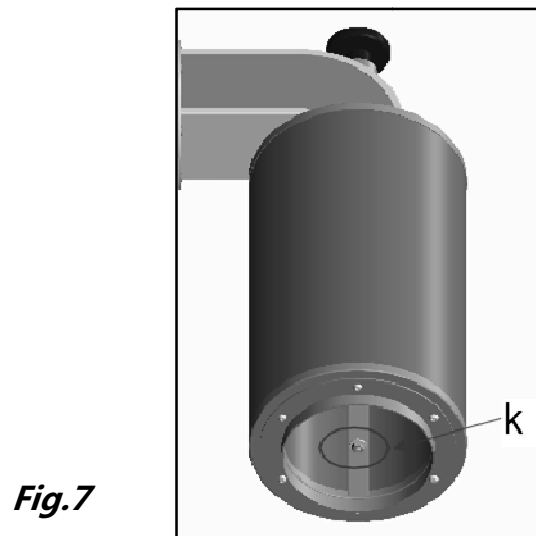


Fig.6

As shown in Fig.7 , remove hex nuts(K) , As shown in Fig.8, remove 6 screws(L) , then remove the filter assembly and install a new one.



Apply sealer on the lip of the clean dust collector, then install it back to the end of the filter, then fasten the strap.

Notice: the direction of the dust collector should be the same as shown in Fig.6.

- 4. Reinstall the new filter back to its original position as shown in Fig.5.**
- 5. Reinstall the filter cover by step 2.**
- 6. Reinstall the cover by step 1.**



Harvey Industries Co.,Ltd

68-10 Suyuan Avenue, Jiangning District, Nanjing 211100, China

TEL : 025-5792 8815 /8817 /8818

www.harveymachinery.com